

HBL21415B -- Hubbelock Plug

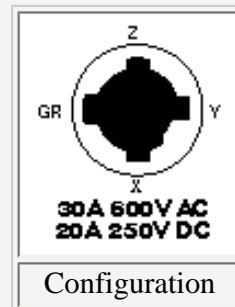


3P4W, 30A 600V AC Max, Black Phenolic

Product Specifications

Product Type	 <p style="text-align: center;">Hubbelock Devices</p>
Product Item	Plug
Wiring Scheme	3 Pole, 4 Wire Grounding
Multi-Rating	30A 600V AC, 20A 250V DC
Item Style	Standard
Device Color	Black/White
Cord Dia.	.630"-1.20" (16.0-30.5)
Blade Holder Material	Black Thermoset
Housing Material	Black nylon
Cord Clamp Material	Glass Reinforced PET
Blade Material	Brass
Terminal Screw Material	Copper lug terminals with steel set screws
Ground Screw Material	Copper lug terminals with steel set screws
Cord Clamp Screw Material	Stainless steel, Multi-drive
Body Holding Screw Material	Stainless steel, Multi-drive

Contact Spring Material	.032" (.8) Bronze
Ratings	Molded into body
Catalog No.	Molded into body
Dielectric Voltage Withstand	2,000V minimum
Current Interrupting	Certified for current interrupting at full rated current.
Temperature Rise	Max 30C temperature rise at full rated current after 50 cycles of overload at 150% of rated current at a power factor of .75.
Cord Accommodation	Round portable service cords of diameters commensurate with the device rating as defined in UL Standard 62, CSA C22.2 No. 49.
Terminal Accommodation	20A #12AWG; 30A #10AWG
Terminal Identification	Terminals identified in accordance with UL 498 (X, Y, Z, White, Green)
Flammability	HB or better per UL 94 or CSA 22.2 No. 0.6
Operating Temperatures	Maximum Continuous 75 C Minimum -40 C (w/o impact)
Moisture Resistance	IP30
Listings	UL/CSA
Feature Info	Black nylon housing, thermoplastic interior.
Catalog Page	Click here for catalog page B77
Hubbellnet	Click here for Hubbellnet
Catalog Section	Click here for Section-B
UPC Number	78358501727
Weight in LBs	0.8



HUBBELLOCK® Devices

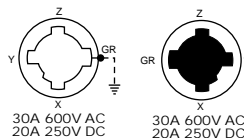
3 Pole, 4 Wire Grounding

30 Ampere, 600 Volts AC, 20 Ampere, 250 Volts DC

Receptacles, Plugs, Connector Bodies and Inlets

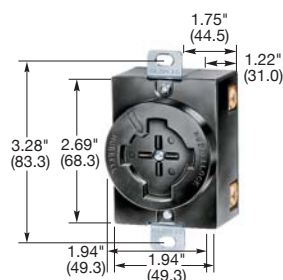


IP30
SUITABILITY



Receptacles

Description	Catalog Numbers
Black phenolic.	HBL20403 -
Weathertight, corrosion resistant, nickel plated brass plate, for FS/FD box mounting. IP44 SUITABILITY	HBL22CM427 -
Aluminum angle housing, with 3/4" topped hub for surface mounting. IP44 SUITABILITY	HBL21420 -



HBL20403

Connector Bodies

Description	Catalog Numbers
Black nylon housing, thermoplastic interior.	HBL21414B -
Same as above except corrosion resistant.	HBL21CM414B -

Note: Cord clamp range .70"-1.20" (17.78-30.5).



HBL21420

Plugs

Description	Catalog Numbers
Black nylon housing, thermoplastic interior.	- HBL21415B
Same as above except corrosion resistant.	- HBL21CM415B

Note: Cord clamp range .70"-1.20" (17.78-30.5).

Flanged Inlets

Description	Catalog Numbers
Weathertight, corrosion resistant, nickel plated brass plate, for FS/FD box mounting.	- HBL22CM428
Black phenolic interior, aluminum housing, for FS/FD box mounting (not shown).	- HBL20418
Aluminum angle housing, with 3/4" NPT topped hub for surface mounting.	- HBL21447



HBL21414B

Switched Enclosure **IP54** SUITABILITY

Description	Catalog Number
Switched enclosure for use with 3 pole 4 wire 30A Hubbellock receptacle. Receptacle not included.	SEHBL3

Note: For more information on switched enclosures see page B-63.



HBL21415B

Accessories

Receptacle Plates

Description	Catalog Numbers
Cast aluminum weatherproof, lift cover plate (not shown).	HBL20405
302/304 stainless, single gang, smooth (not shown).	S737

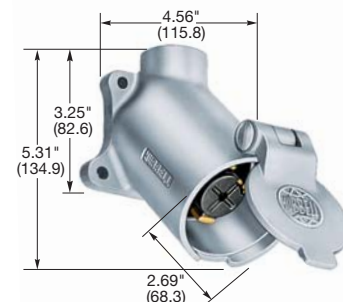
Liquidtight Metallic Conduit Adapters

Description	Catalog Numbers
Adapter for use with 1/2" NPT conduit fittings.	SAB12
Adapter for use with 3/4" NPT conduit fittings.	SAB34

Boots

Description	Catalog Numbers
"Mini" boot for Hubbellock connector body.*	HBL20424B
"Mini" boot for Hubbellock plug.*	HBL20425B

* Not UL Listed or CSA Certified.



HBL21447

